

"ULSTIND"

Designed



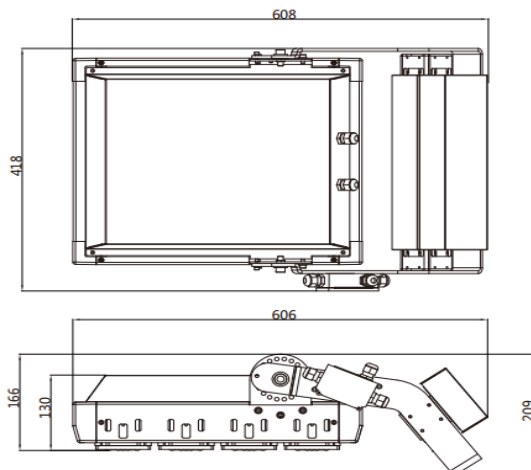
Specifications



IP65

Model:	ULSTIND 400W
Input Voltage:	100-277V~50/60Hz (Meanwell driver)
Lamp Power Consumption:	400W
Size:	608*418*209mm
Led Source:	philip 5050 led
Color Temperature:	4000-4500K
Lamp output Flux:	≥60 800lm
Color Rendering Index:	≥80
Light distribution angle:	60 degree (90 degree available)
Working Temperature:	-20~50°C
Working Humidity:	10%~90%RH
Working Life:	> 50 000h
Net Weight:	12kg
IP Rating:	IP65
Advised Installation Height:	10-30m
Working place:	inside /outside

Product Size



Luminous Intensity Distribution Diagram

